

# SCMI server in VM

Vincent Guittot

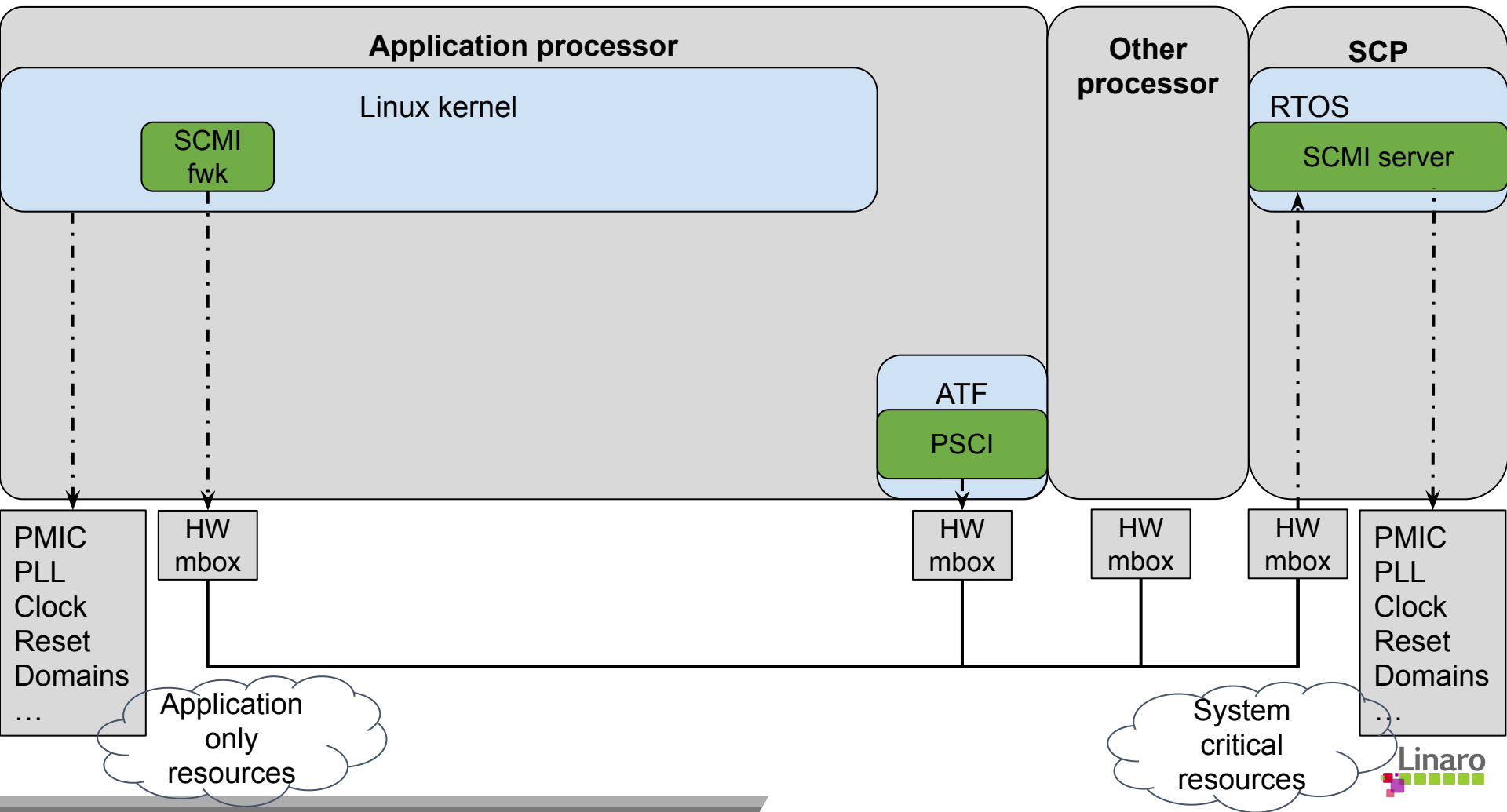


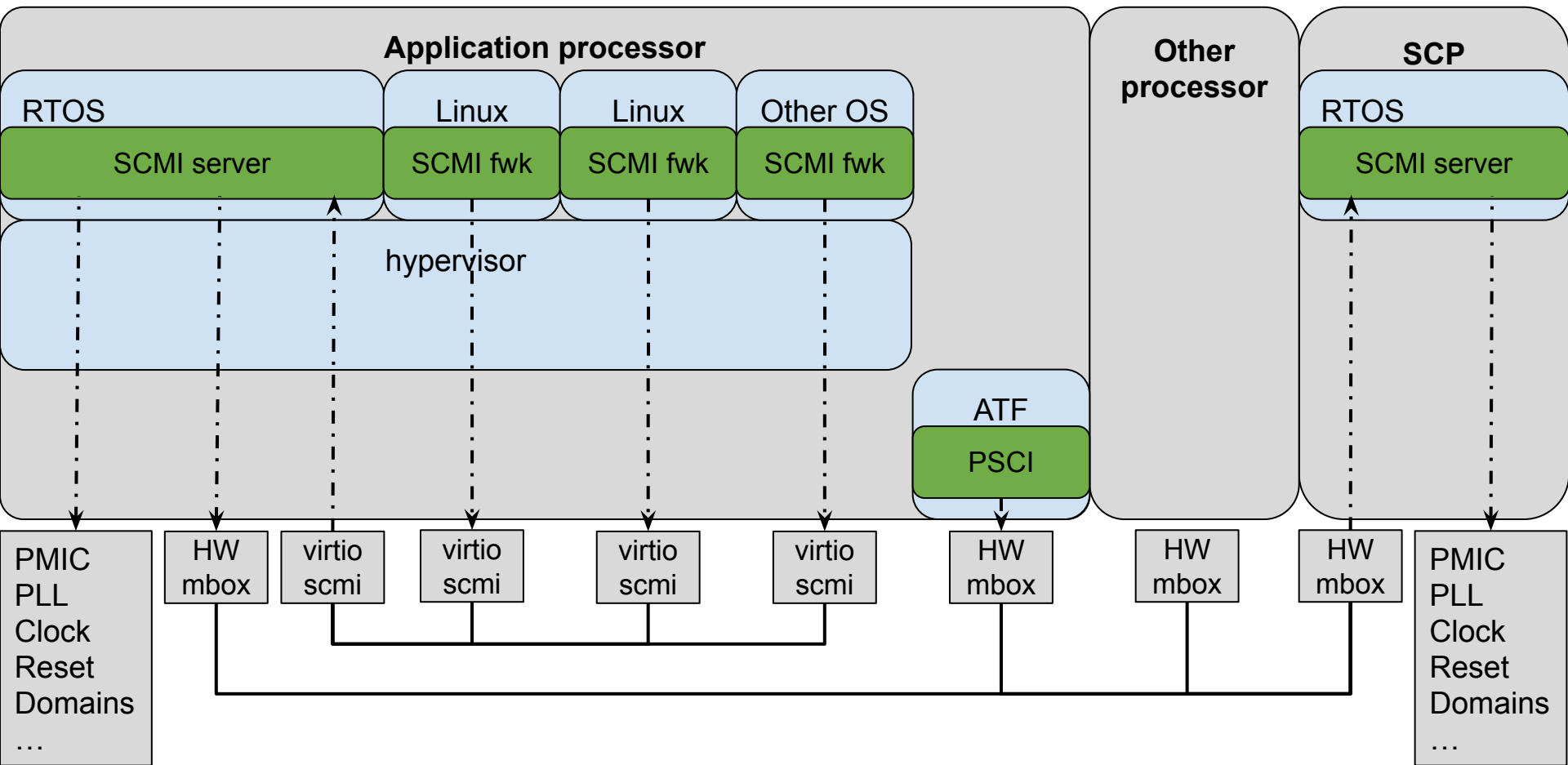
# Agenda

- Goal
- SW overview
- SW component

# Goal

- Move from 1 host to several guest VMs
- Gather and filter the access to resources
- Be hypervisor agnostic



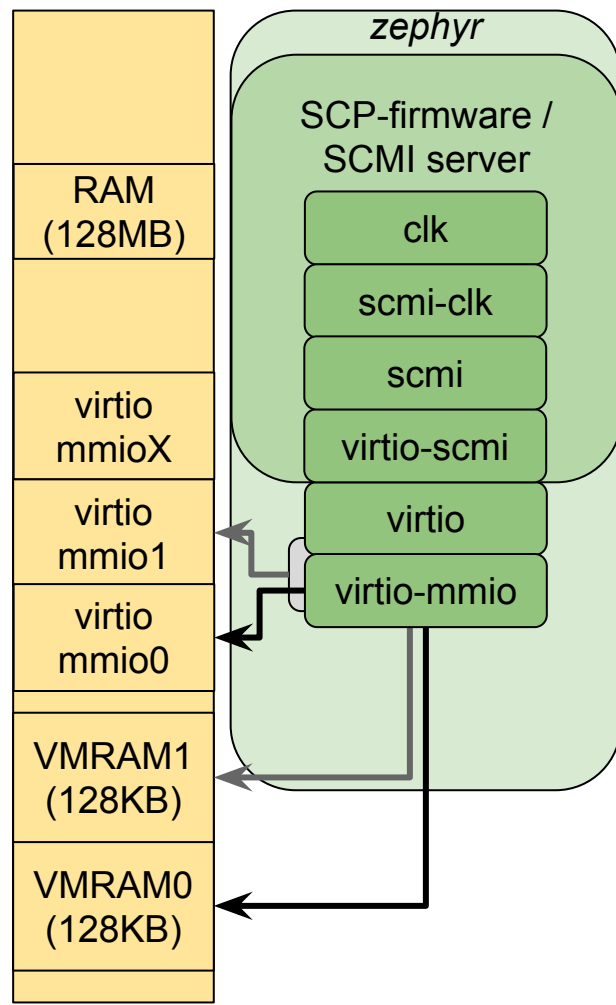


# SW overview

```
/{
reserved-memory {
    compatible = "reserved-memory";
    ...
    vmram0: vmram@90c0000 {
        status = "okay";
        reg = < 0x90c0000 0x80000 >;
        device_type = "memory";
        label = "vmram0";
    };
    ...
};

virtio_mmio0: virtio_mmio@a003e00 {
    dma-coherent;
    compatible = "virtio-mmio";
    reg = <0xa003e00 0x200>;
    status = "okay";
    interrupts = <GIC_SPI 0x2f ...>;
    interrupt-parent = <&gic>;
    label = "virtio_mmio0";
    memory-region = <&vmram0>;
    device-mode;
};
};
```

request virtqueue  
notification virtqueue  
buffers



# Software component

- Generic virtio interface
  - Not tied to virtio-SCMI
  - Not tied to virtio-mmio
- virtio-mmio driver
  - Support both master/slave mode
- Use lib open-amp
  - virtio device
  - virtqueue management
  - Added support of multi buffers per request
- Use lib metal
  - Reserved memory management

Thank you

